



Info Sheet

**7310**  
**Lector & Scriptor**  
**Product Family**



***Boosting wireless efficiency***

## Easily managing complex measurements

Willtek's 7310 Lector software is a well-established and economic test solution for service centres and repair shops testing returned mobile phones with all of Willtek's terminal testers: the 2201 ProLock, the 3100 Mobile Fault Finder, the 4100 Mobile Fault Finder Series, the 4200 Mobile Service Tester Series, the 4300 Mobile Service Tester Series and the 4400 Mobile Phone Tester Series. TETRA radios can also be tested with the 2303 Stabilock®.

Willtek's family of test automation programs is now expanded with new members for enhanced ease of use. The family provides a scalable test solution for different applications around wireless device testing. It fits the needs of test operators and administrators in large service centres as well as in small repair shops. The software provides an easy-to-use interface to the mobile phone testers from Willtek.

### 7311 Lector Basic

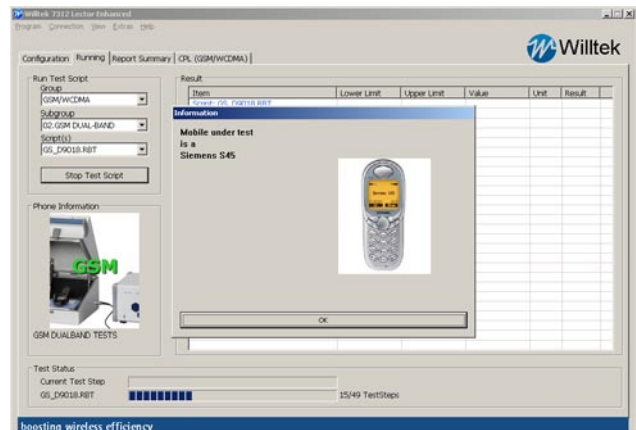
Carry out automated measurements with simple pass/fail indication and more detailed test reports! This product is free of charge, comes with generic test scripts for the major cellular technologies, and can use test scripts created with 7315 Scriptor.

### 7312 Lector Enhanced

Lector Enhanced supports additional functions like indication of multiple Lector installations running simultaneously, the position finder for GSM auto coupling and support of 7360 Coupling Factor Update License. A one-year 7360 license is already included!

### 7315 Scriptor

Edit and define test scripts and limits; and add new mobile phone models with coupling factors! Scriptor comes with all the Lector functionality and fulfils all the administrator needs to define the tests.



### 7360 Coupling Factor Update License

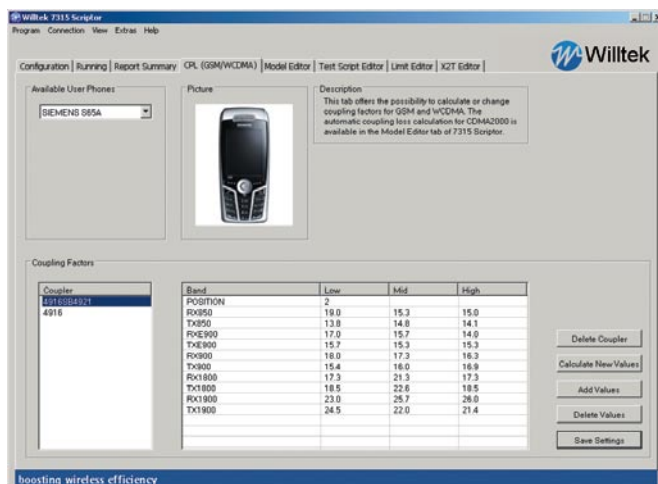
Update your database of coupling factors for new mobile phone models over the Internet! This 1-year license is an option to 7312 Lector Enhanced and 7315 Scriptor, and allows you to update your database of mobile phones with latest information.

### 7361 Bluetooth Connectivity Test License

Additionally check if the Bluetooth module of the phone is performing! This option adds Bluetooth Go/NoGo tests for instruments which do not support it inherently, like the 4100 and 4200 series instruments or the 2303 Stabilock. With the 7361 Bluetooth Connectivity Test License, the 4941 Bluetooth Hardware can be connected directly to the PC.

## Automated test solution for any wireless application

Application	Recommended test solution
Service centres use test equipment to decide if a phone needs repair or is fault-free. An administrator takes care of new phone models with appropriate coupling factors and test scripts.	7311 Lector Basic (test stations) 7315 Scriptor (administrator)
Incoming inspection in large service centres uses test systems to determine the fault; further processing depends on the test results. Productivity is increased with several test systems simultaneously operated by one person, with multiple instances of the software on one PC. – An administrator measures coupling factors and distributes them, along with appropriate test scripts, via LAN. Test results are centrally stored.	7312 Lector Enhanced (test stations) 7315 Scriptor (administrator)
Service centres without an administrator and knowledge how to measure coupling factors manually, need a simple solution to update test systems with coupling factors for the latest phones. The standard test scripts delivered with Lector are sufficient.	7312 Lector Enhanced with 7360 Coupling Factor Update License
Individual technicians in repair shops with good knowledge of test scripts and limits, perform tests and also configure them. They achieve accurate measurements even with latest phone models with the Coupling Factor Update License.	7315 Scriptor with 7360 Coupling Factor Update License
Radio workshops test TETRA handsets to ensure reliable communication. In case of a failure, the TETRA radio is tested to identify the problem; it is then forwarded to a repair technician, along with a test report.	7312 Lector Enhanced 2303 Stabilock with 2331 Autotest Option
The administrator of a TETRA service centre integrates parameters for new radios into Lector, making them available to test technicians in a user-friendly way.	7315 Scriptor 2303 Stabilock with 2331 Autotest Option



# Lector

## 7311 Lector Basic

Testing the functionality of a wireless device in the repair shop or at the point of return does not require highly qualified test engineers: Standard test sequences are easily run, and result in a simple Pass/Fail statement. A test protocol for more detailed results can be viewed or printed on request, e.g. to forward it to a repair technician. Test protocols can be saved automatically or on request, on the local PC or any connected server. 7311 Lector Basic supports comprehensive functional tests by shop personnel!

Lector Basic can be used in conjunction with any of Willtek's mobile phone testers, the 4916 Antenna Coupler and the 4921 RF Shield. A PC running Microsoft Windows and Willtek's Lector controls the respective tester.

The software takes the power attenuation between the antenna coupler and the tester into account in the measurement results: For initial setup, 7311 Lector Basic comes with a free built-in database containing coupling factors for popular phones. This eases the test system setup and saves a lot of time compared to manually adding coupling factors for all phone models.

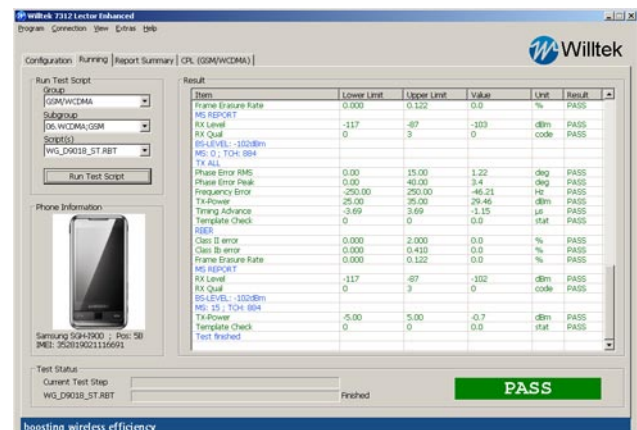
7311 Lector Basic is free and can be downloaded from the Willtek website! This variant is also delivered with each 3100 Mobile Fault Finder.

The built-in test sequences support all the leading cellular technologies: GSM, GPRS, EDGE, WCDMA, HSDPA, AMPS, CDMA2000, 1xEV-DO and TETRA. Predefined parameters such as the channels to test and the coupling factors allow the operator to start testing immediately, but can be customised from within Lector.

## 7312 Lector Enhanced

7312 Lector Enhanced provides all the possibilities of 7311 Lector Basic and offers additional features. The major difference between Lector Enhanced and Lector Basic is the support of the 7360 Coupling Factor Update License. Also, up to four instances of Lector Enhanced can run simultaneously on a single PC controlling different Willtek testers, increasing operator productivity. The different program windows are easily differentiated visually.

For new phone models, Lector Enhanced can determine the coupling factors for the different frequency bands. For GSM and WCDMA phones, the built-in averaging function increases the accuracy; outliers are indicated and can be excluded from averaging.



# 7315 Scriptor

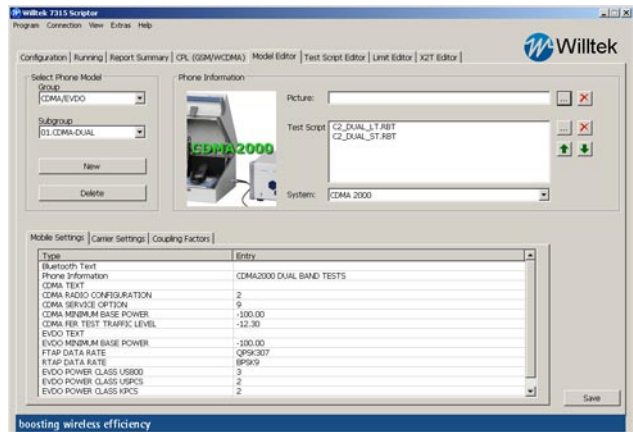
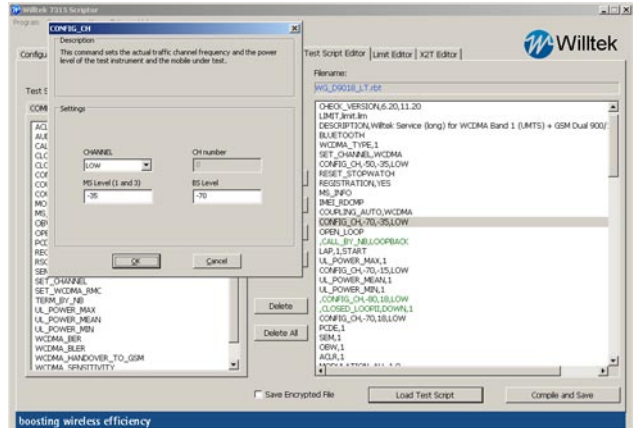
7315 Scriptor features all of Lector Enhanced and adds functionality for easily modifying and adding tests and mobile phone profiles. These tests can then be transferred to and used by 7311 Lector Basic and 7312 Lector Enhanced installations.

The Model Editor within Scriptor is used by administrators to create model lists for Scriptor, Lector Basic and Lector Enhanced. This tool allows you to conveniently change or add entries for mobile phone models. Pictures, test scripts, comments, user instructions can be entered and linked to a phone; the test operator will then see these when starting a test for this type of phone.

The Test Editor component provides an easy for editing test scripts or creating a new test. The picture on the right shows how easily it is done: On the left hand side, separate lists for each technology allow you to conveniently choose a test step; it is copied to the new test script on the right hand side. A double-click on a test step opens an appropriate input box that allows you to change the parameters for this test step.

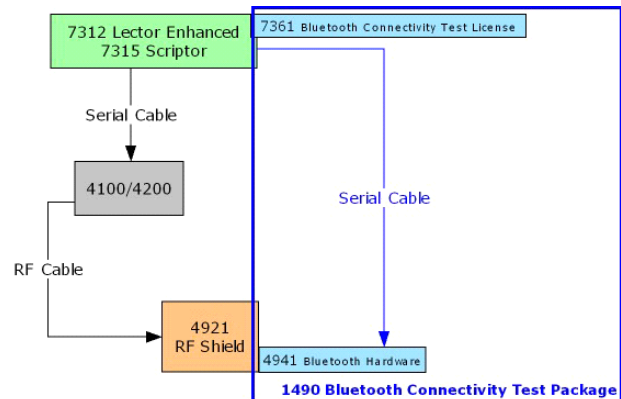
The Test Editor makes modifications of existing and creation of new test scripts an easy task!

The Limits Editor offers a good overview of the limits, sorted by technologies. The limits can easily be edited by the administrator and stored under the same or another file name. Each test script can be linked to a different limit file; this way, tests scripts and limit sets can be combined individually.



# 7361 Bluetooth Connectivity Test License

Together with 7312 Lector Enhanced or 7315 Scriptor and the optional 7361 Bluetooth Connectivity Test License easy Bluetooth Go/NoGo tests 4100 and 4200 series can be performed. The usability is extremely easy; the user just need to make sure that Bluetooth of the mobile device is switched on. If this is the case the test is running automatically without any further user interaction like pairing. No interferences can disturb the test since the 4941 RF Shield box is used. In the Lector-Scriptor test results a PASS/FAIL statement can be found to manifest that Bluetooth has been tested for the particular phone.



# 7360 Coupling Factor Update License (for GSM and WCDMA)

With tests over the antenna, good power and receiver measurement accuracy is only achieved with the exact knowledge of the antenna coupling factor, which depends on the phone model and the coupling device. A list of coupling factors for a number of phone models is already delivered with Lector and Scriptor, but does not cover all the phone models available on the market. Willtek offers an update service of the coupling factors for the latest models. These coupling factors are valid for the antenna connection between the phone and the Willtek 4916 Antenna Coupler installed in a 4921 RF Shield.

The 7360 Coupling Factor Update License is available as an option to 7312 Lector Enhanced and 7315 Scriptor; a first-year license is even included in these products! The option enables both applications to download actual coupling factors; Willtek provides monthly updates over the Internet. A list of supported mobile phones and wireless devices is available on Willtek's website. – The update service is available for one year and can be renewed.

## Willtek software licenses

The Lector and Scriptor products provide a scalable solution for running automated tests in the service environment. Willtek makes software updates available on the Internet. The software licenses are protected by a USB dongle. This way, you can easily update and upgrade the software, and transfer the license from one PC to another, e.g. if one computer is defective. Just one USB dongle suffices for all the Willtek software products because it can carry multiple licenses and can be upgraded on site.

Repair centres can take advantage of the network license where a number of computers share a dongle over the local area network (LAN). This way, the software licenses can be managed centrally, reducing the risk of individual dongles getting lost.

## Home at any repair shop

With Lector and Scriptor, Willtek builds on many years of experience in the design of easy-to-use instruments and PC control software. Lector and related products from Willtek reduce the complexities of testing modern cellular technologies to a simple Pass/Fail, with a clear indication of the potential source of a problem if any. ISO 9000-certified service centres

can trace the test conditions and equipment used for measurements with Lector and Scriptor.

## Technical details

### Supported connections

- TCP/IP
- GPIB
- USB
- RS-232

### Supported instruments

- 2201 ProLock
- 3100 Mobile Fault Finder
- 3110 Mobile Service Tester
- 4100 Mobile Fault Finder Series
- 4200 Mobile Service Tester Series
- 4300 Mobile Service Tester Series
- 4400 Mobile Phone Tester Series
- 2303 Stabilock (with 2331 Autotest Option)

### Supported technologies

- GSM, GPRS, EDGE, WCDMA, HSDPA
- AMPS, CDMA2000, EVDO
- TETRA
- Bluetooth

### System requirements

- Windows NT, 2000, XP or Vista
- 60 MB free hard disk space
- CD-ROM drive
- RS-232 or USB connection

## Summary of features

Feature	7311 Lector Basic	7312 Lector Enhanced	7315 Scriptor
Password-protected configuration area	✓	✓	✓
Display of measurement results in real-time		✓	✓
Test report summary	✓	✓	✓
Bluetooth tests supported	✓	✓	✓
Coupling Factor Wizard and Editor for GSM and WCDMA	✓	✓	✓
TAC2TEST <sup>1</sup> , CODE2TEST, TECH2TEST barcode reader usage	✓	✓	✓
Automatic coupling factor calculation	✓	✓	✓
Assignment of unknown Type Approval Codes to known mobile phones	✓	✓	✓
Import and activation of phone configuration packages	✓	✓	✓
Download of product updates via online and offline update	✓	✓	✓
Support of the new 4916 XY Shuttle	✓	✓	✓
Multiple print formats	✓	✓	✓
Sending of SCPI and AT commands within a test script	✓	✓	✓
Free of charge	✓		
Download of actual CPL values possible (7360 support)		✓	✓
Up to 4 Lector installations on one PC		✓	✓
Failure reason codes for test data analysis		✓	✓
Report summary can be stored automatically		✓	✓
File synchronisation for reading from a central folder		✓	✓
Optimum position finding for GSM and WCDMA phones			✓
Mobile Editor, Script Editor, Limits Editor			✓
X2Test Editor for barcode reader support			✓
CDMA2000 carrier and coupling factor management			✓
Channel files can be created and linked to script files			✓
Groups, subgroups etc. can be exported to PCF files			✓
Script check for error finding in the scripts (GSM/WCDMA)			✓
Measurements can be selected for script commands with multiple output			✓
Averaging of coupling values for GSM, WCDMA, CDMA2000 and TETRA with indication of values which extremely deviate from the average value			✓
Position finding for GSM, WCDMA, CDMA2000 and TETRA phones			✓
Encryption of test scripts			✓
Calibration date can be checked and displayed with Lector		✓	✓

<sup>1</sup> The type approval code (TAC) can be entered using a barcode reader; the TAC, i.e. the types of test depend on the mobile phone model



## Ordering details

### Individual licenses

7312 Lector Enhanced (includes USB dongle)	M 897 310
7315 Scriptor (includes USB dongle)	M 897 311
7360 Coupling Factor Update License (1 year)	M 897 312
7360 Coupling Factor Update License (2 years)	M 860 328
7361 Bluetooth Connectivity Test License	M 897 330
1490 Bluetooth Connectivity Test Package for 7310 Lector and Scriptor	M 248 980
4941 Bluetooth Hardware	M 248 511
Scriptor Upgrade 7312 to 7315	M 897 314

### Network licenses

7312 Lector Enhanced (network license)	M 897 326
7360 Coupling Factor Update License (network license, one year)	M 897 327
7360 Coupling Factor Update License (network license, two years)	M 860 329
USB Network Dongle for max. 10 users	M 860 570
USB Network Dongle for max. 50 users	M 860 571
USB Network Dongle for max. 250 users	M 860 572

### Wireless Telecom Group Sales Offices

Willtek Communications GmbH  
Ismaning  
Germany  
Tel: +49 (0)89 99641 0  
Fax: +49 (0)89 99641 440  
info@willtek.com  
www.willtek.com

Parsippany, NJ  
USA  
Tel: +1 973 386 9696  
Fax: +1 973 386 9191

Cheadle Hulme, Cheshire  
United Kingdom  
Tel: +44 (0)161 486 3353  
Fax: +44 (0)161 486 3354

Roissy  
France  
Tel: +33 (0)1 72 02 30 30  
Fax: +33 (0)1 49 38 01 06

Singapore  
Tel: +65 6827 9670  
Fax: +65 6827 9601

Shanghai  
China  
Tel: +86 21 5835 8039  
Fax: +86 21 5835 5238

© Copyright 2009 Willtek Communica-  
tions GmbH.  
All rights reserved.  
7311/IS918/0709/EN

Note: Specifications, terms and conditions  
are subject to change without prior notice.